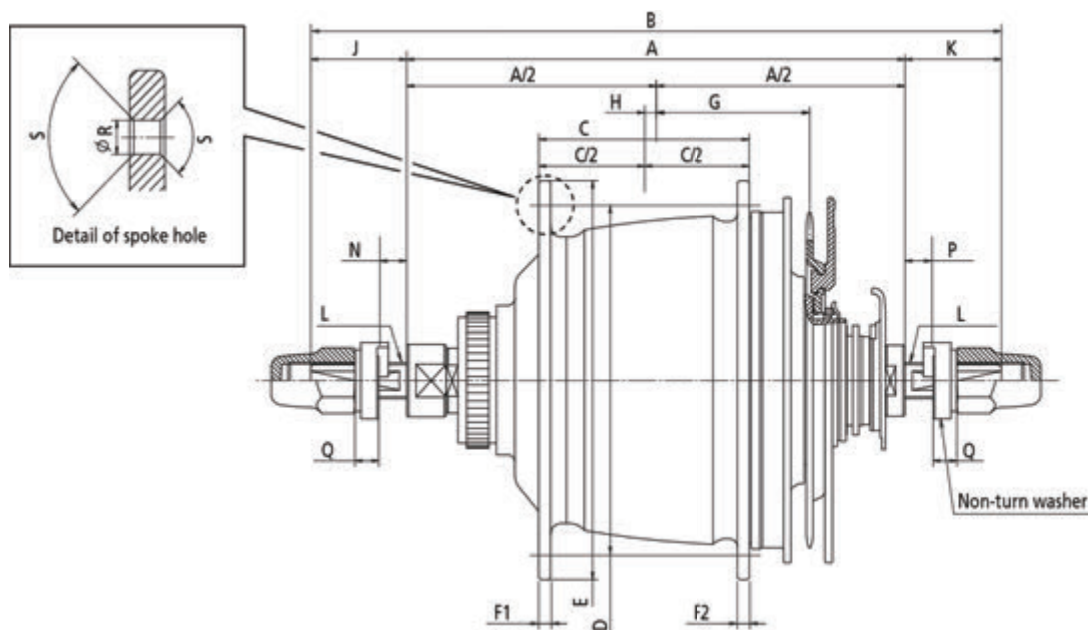


Naafafmetingen (Afstand tussen de borgmoeren en as)

SG-S7001-11



Series	ALFINE			NEXUS		
	INTER-11	INTER-8	INTER-8	INTER-8	INTER-8	INTER-8
Function name	INTER-11	INTER-8	INTER-8	INTER-8	INTER-8	INTER-8
Model No.	SG-S7001-11	SG-S7001-8	SG-C6011-8R SG-C6001-8R SG-C6011-8V SG-C6001-8V	SG-C6001-8C	SG-C6001-8D	SG-C6001-8CD
Speed	11			8		
Gear ratio: Total	409%			307%		
Spoke size	#13 / #14					
A Over locknut dim. / O.L.D. (mm)	135		132	132		135
B Axle length (mm)	187		184			187
C Flange distance (mm)	57.3		58.3		57.3	58.3
D Spoke hole P.C.D. (mm)			92.6			
E Flange diameter (mm)	104.3				105.2	
F Flange width (mm): F1 (left)			3.2			
F Flange width (mm): F2 (right)			3.2			
G Chain line (mm): G1 (outward assembly)	46.8		47.7	47.9		46.8
G Chain line (mm): G2 (inward assembly)	41.8		42.7	42.9		41.8
H Offset (mm)	3.1		2.7	2.6	3.1	4
J Axle length from hub (left)		26		25.7	26	26.6
K Axle length from hub (right)			26			25.4
L Axle size	BC3 / 8 TPI 26					
N Rear dropout mounting width (left, includes stay etc.)	5-9		4-9		5-9	4-9
P Rear dropout mounting width (right, includes stay etc.)	5-9		4-9		5-9	4-9
Q Non-turn washer width			6.4			
R Spoke hole diameter (mm)	2.9	2.9	2.9	2.9	2.9	2.9
S Spoke hole chamfer	90°					